



# ACHIEVER™ 5000

## Overhead Stirrers



### *Reliable Overhead Stirrers with Excellent Performance for Everyday Use*

OHAUS Achiever 5000™ Overhead Stirrers are designed for powerful, precise stirring, safety and simplicity in all applications. The sealed design has an IP54 rating and ensures safe mixing performance even in the most demanding applications. The keyless chuck and software controlled speed ramping provide easy set up and safe stirring to protect the sample and user. Select from five models with up to 200 Ncm torque and up to 100 L volume capacity.

#### *Unique Features:*

- Powerful mixing and constant speed is assured with the brushless motor and torque compensation technology - delivering accurate, controlled stirring of viscous liquids with quiet operation.
- Simplify set up with the Keyless Chuck - no tools required. Change shafts quickly and easily with one handed operation. This unique design will save time and effort for everyone in the lab.
- Designed for safety. The lock button prevents accidental speed changes and the motor's overload sensing technology simply shuts off stirring before an overload condition occurs to protect the sample.
- Compact and easy to use. Simple knob control combined with the bright digital display allows for precise setting and monitoring. Customize for your application with over 12 accessories.

# ACHIEVER™ 5000

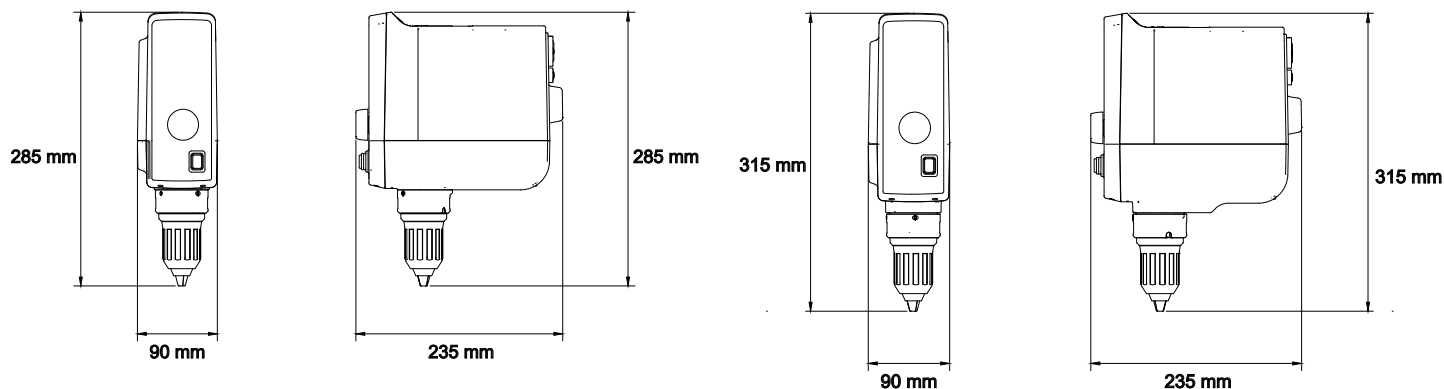
| Model                              | e-A51ST020                            | e-A51ST040 | e-A51ST060 | e-A51ST100  | e-A51ST200                        |
|------------------------------------|---------------------------------------|------------|------------|-------------|-----------------------------------|
| Stirring Speed Range               | 30-2000 rpm                           |            |            | 30-1300 rpm | 6-400 rpm (I)<br>30-2000 rpm (II) |
| Stirring Volume (H <sub>2</sub> O) | up to 25l                             |            | up to 40l  | up to 100l  |                                   |
| Maximum Viscosity (cP or mPa's)    | 10 000                                | 25 000     | 50 000     | 70 000      | 100 000                           |
| Maximum Torque (Ncm)               | 20                                    | 40         | 60         | 100         | 200                               |
| Speed Gears                        | 1                                     |            |            |             | 2                                 |
| Speed Accuracy                     | 1 rpm                                 |            |            |             |                                   |
| Speed Control                      | Digital                               |            |            |             |                                   |
| Display                            | LED                                   |            |            |             |                                   |
| Timer                              | Yes                                   |            |            |             |                                   |
| Lock Button                        | Yes                                   |            |            |             |                                   |
| Chuck Range (Diameter)             | 1 - 13 mm                             |            |            |             |                                   |
| Shaft Pass Through (Diameter)      | up to 8,5 mm                          |            |            |             |                                   |
| Ingress Protection                 | IP54                                  |            |            |             |                                   |
| Dimensions (H x L x W)             | 28,5 x 23,5 x 9,0 cm                  |            |            |             | 31,5 x 23,5 x 9,0 cm              |
| Net Weight                         | 4,1 kg                                |            |            |             | 4,6 kg                            |
| Power Supply                       | 230V, 50/60Hz                         |            |            |             |                                   |
| Power Input                        | 190W (230V)                           |            |            |             |                                   |
| Working Environment                | 5 °C – 40 °C, 80 % RH, non-condensing |            |            |             |                                   |

\*RH = Relative Humidity

## Dimensional Drawings

e-A51ST020, e-A51ST040, e-A51ST060, e-A51ST100

e-A51ST200



## Other Standard Features & Equipment

Speed accuracy of 1 rpm, sealed housing with IP54 rating, digital display, timer, torque tendency LED indicator, digital speed control, chuck range 1 to 13 mm, pass through shaft diameter up to 8.5 mm, support stand and clamp required for set up (sold separately).

## Compliance

- Product Safety: CAN/CSA C22.2 No. 61010-1, CAN/CSA C22.2 No. 61010-2-051, EN 61010-1, EN 61010-2-051, IEC 61010-1, IEC 61010-2-051, UL 61010-1, UL 61010-2-051
- Electromagnetic Compatibility: EN 61326-1: 2013 Class A Industrial Environment; Canada ICES-003 Class A; FCC Part 15 Class A
- Compliance Marks: CE; RCM; cNus; WEEE; CN RoHS

## Accessories

|   |          |
|---|----------|
| Support Stand Universal-H .....               | 30586771 |
| Support Stand Telescopic-H .....              | 30586772 |
| Clamp Double .....                            | 30586773 |
| Clamp Ribbon .....                            | 30586774 |
| Stirrer Shaft 40x0,7 cm, Anchor Blade .....   | 30586775 |
| Stirrer Shaft 40x0,7 cm, Fixed Blade .....    | 30586776 |
| Stirrer Shaft 40x0,7 cm, Floating Blade ..... | 30586777 |
| Stirrer Shaft 40x0,7cm, Folding Blade .....   | 30586778 |
| Stirrer Shaft 51x0,7cm, Paddle 6 Holes .....  | 30586779 |
| Stirrer Shaft 40x0,7cm, Propeller .....       | 30586780 |
| Stirrer Shaft 40x0,7cm, Turbine .....         | 30586781 |
| Stirrer Shaft 40x0,7cm, Turbo Propeller ..... | 30586782 |
| Chuck Cover e-A51 .....                       | 30586842 |

OHAUS Europe GmbH  
Heuwinkelstrasse 3  
8606 Nänikon  
Switzerland

e-mail: ssc@ohaus.com  
Tel: 0041 22 567 53 19  
e-mail: tsc@ohaus.com  
Tel: 0041 22 567 53 20

[www.ohaus.com](http://www.ohaus.com)

OHAUS Corporation is an ISO 9001:2008 manufacturer

ISO 9001:2008  
Registered Quality  
Management System

80776622 20201025 © Copyright OHAUS Corporation

